

CODE NUMBER

32920003

DESCRIPTION

24" x 36", Sloan Wall-hung Hardwired 2 Edge LED Mirror.

DETAILS

- Frame Type: 2 Edge Lit
- Mirror Size: 24" x 36" (24x36)

FEATURES

- 6000K cool daylight with an integrated 12-volt driver ensures consistent brightness
- Energy-saving LED lights with options for hardwired or plug-in power sources
- 1/4" mirror with polished edges. Guaranteed against silver spoilage for 15 years
- Includes an easy-mount steel base and 18-gauge stainless steel hangers for quick installation
- Available in 5 different LED styles: 2 Edge, 2 Inset, 4 Edge, 4 Inset, and Back Lit
- LEED-eligible. Supporting sustainability in design (LEED MR c4, LEED EQ c4.2)
- Weight: 32 lbs

LIGHTING SPECIFICATIONS

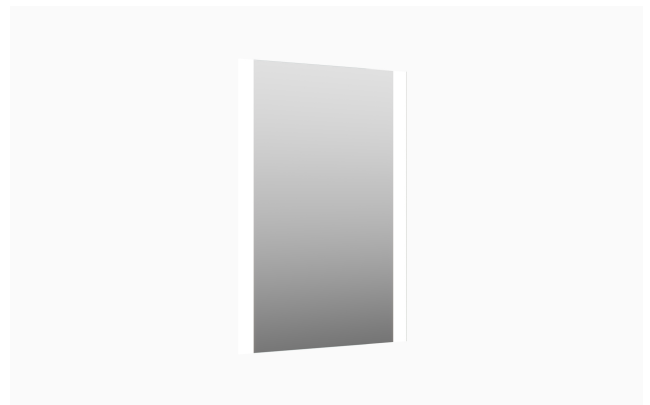
- LED Color: 6000K Cool
- LED Lifetime: 50K Hours

POWER REQUIREMENTS

- Prepared for hardwired installation
- 12V constant integrated volt driver
- 110V 60 Hz input, 12V DC output

NOTES

All information contained within this document subject to change without notice.

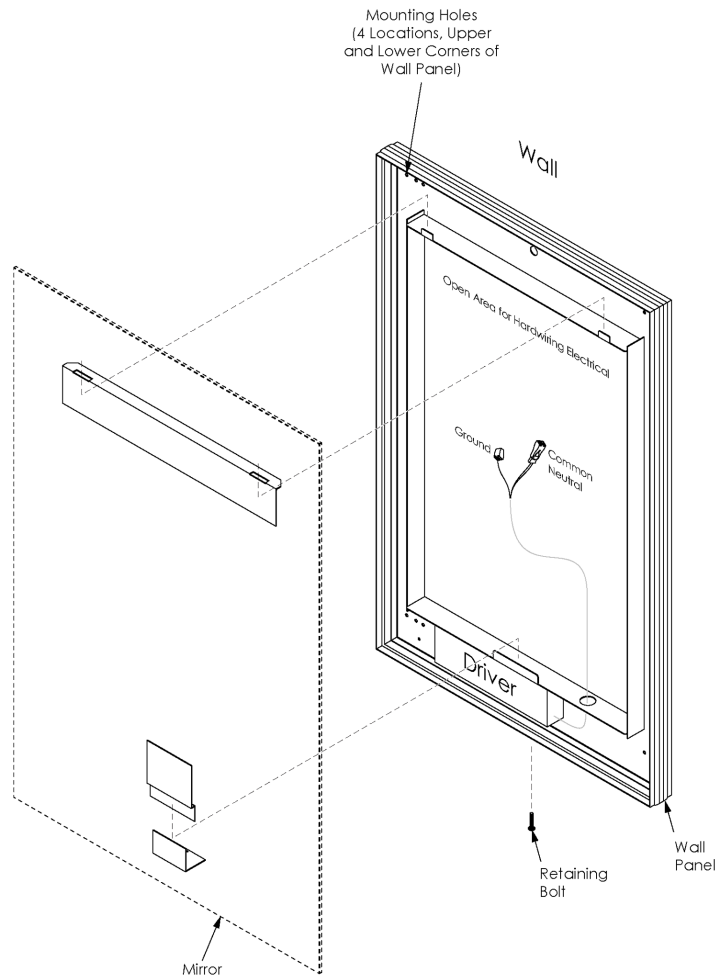
**COMPLIANCES & CERTIFICATIONS**

(Satisfies LEED Credits, UL Certified)

DOWNLOADS

- [LED Mirrors Installation Instructions](#)
- [Additional Downloads](#)

ROUGH-IN



Sloan 10500 Seymour Ave, Franklin Park, IL 60131
Phone: 800.982.5839 • Fax: 800.447.8329 • sloan.com